

specter

SPECTER SLIM MODULES
SNOOT ZOOMABLE 55

bold
lighting



SNOOT ZOOMABLE 55

Our Magnetic track system, SPECTER, is a highly configurable, 2 circuits, 24VDC low voltage track system. Thanks to its magnet mounting technology, the modules are inter-changeable instantaneously. Our track is available in ceiling pendant, surface and recessed mounting for both ceiling and walls. SPECTER track is also available with an optional linear uplight feature. The snoot module complements the SPECTER range with a minimalistic cylinder track-head equipped with a wide range of optics and optical accessories allowing professional scenography lighting.

- Up to 1069lm delivered output
- Available in 1 diameter size, 2.2"
- Various optical accessories available such as beam shaping lenses and Honeycomb louvers
- Beam options, narrow, medium and flood
- Fixtures designed to mount in SPECTER track
- Available in 2 standard finishes: Black and white

Notes: ¹ Available dimming 0-10V and DALI

Code example: **SPSM-Z22W-W-Z827-2**

STANDARD FINISHES



B

W

DELIVERED LUMEN OUTPUT

Length	Watts	CRI +80				CRI +90			
		2700K	3000K	3500K	4000K	2700K	3000K	3500K	4000K
2.2"	10W	993lm	993lm	1069lm	1069lm	700lm	751lm	808lm	866lm

Series	Length		Body Finish		Baffle Finish		Beam Angle		CRI		Color Temp		Circuit					
SPSM-Z	22	2.2"	W	White	W	White	Z	25° - 55°	8	+80	27	2700K	1	1-Circuit				
			B	Black	B	Black					9	+90			30	3000K	2	2-Circuit
			S	Silver	S	Silver					35	3500K						
			Z	Bronze	Z	Bronze					40	4000K						
			X	Custom	X	Custom												

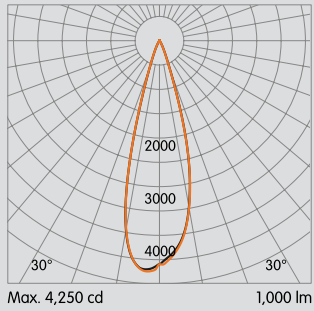


Bold Lighting
4710 Ecton Dr., Marietta, GA 30066, USA
info@boldlighting.us www.boldlighting.us
t: +1-678-903-4061

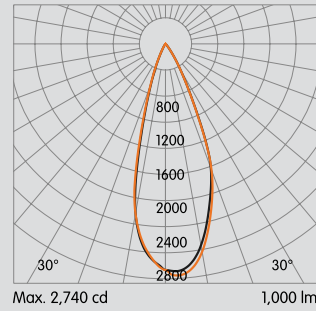
OPTICAL FLEXIBILITY

Photometric data: Type C Polar Curves

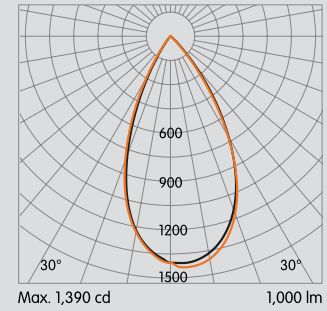
25° Beam Angle



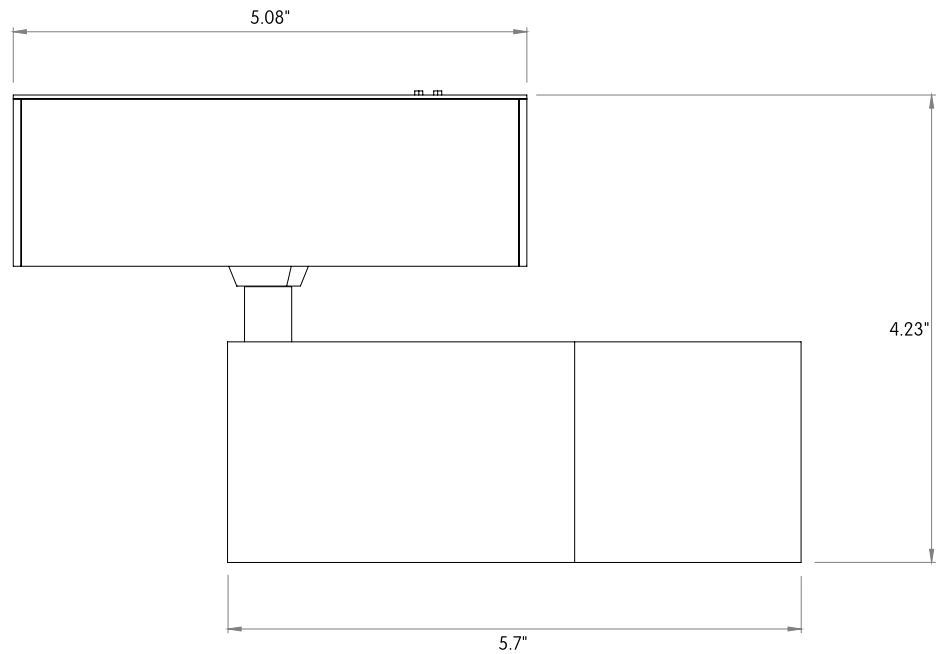
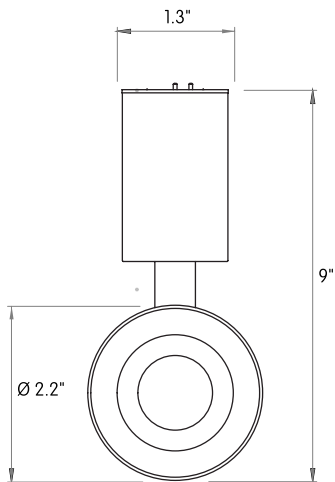
40° Beam Angle



55° Beam Angle

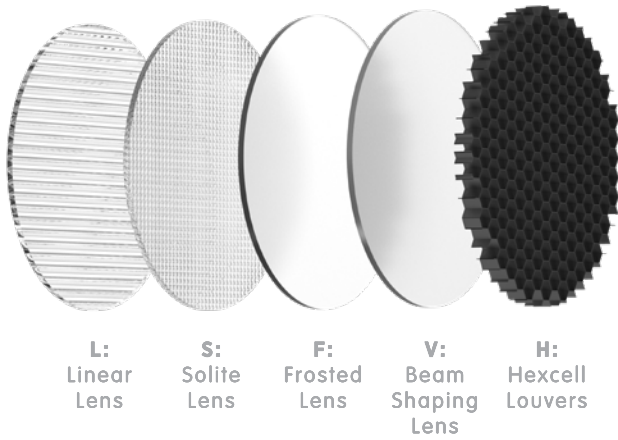


SNOOT ZOOMABLE 55



OPTICAL ACCESSORIES

Lenses and anti-glare devices



Fits model # / Size		Beam	Finish
Snoot Zoomable 55	Diameter 2.2"	S Solite	— None
		L Linear	BL Flat Black
		F Frosted	SL Silver
		V Beam Shaping	WH White
		H Hexcell Louvers	

Beam Shaping lenses Options

	No Filter Beam Shaping Filter	C-HE10	C-HE15	C-HE20	C-HE30	C-HE40	C-HE55	C-HE80
FWHM Beam Angle	15°	18°	21°	25°	35°	46°	65°	80°

Special Beam Shapes	No Filter Beam Shaping Filter	Elliptical 6010	Elliptical 6030	Direction Turning 8°	Direction Turning 20°	C-HE40	C-HE55	C-HE80
FWHM Beam Angle	15°	60° x 10°	60° x 30°	▷ 8°	▷ 20°	46°	65°	80°